

342498 (Coibentata - Isolate
Insulate Isoliert - Aislamiento)
342497

411002

200925

352230

352228/1

325305

352228

190638

190637

160811

391513

161219

352231

200957

180642

161220

200964

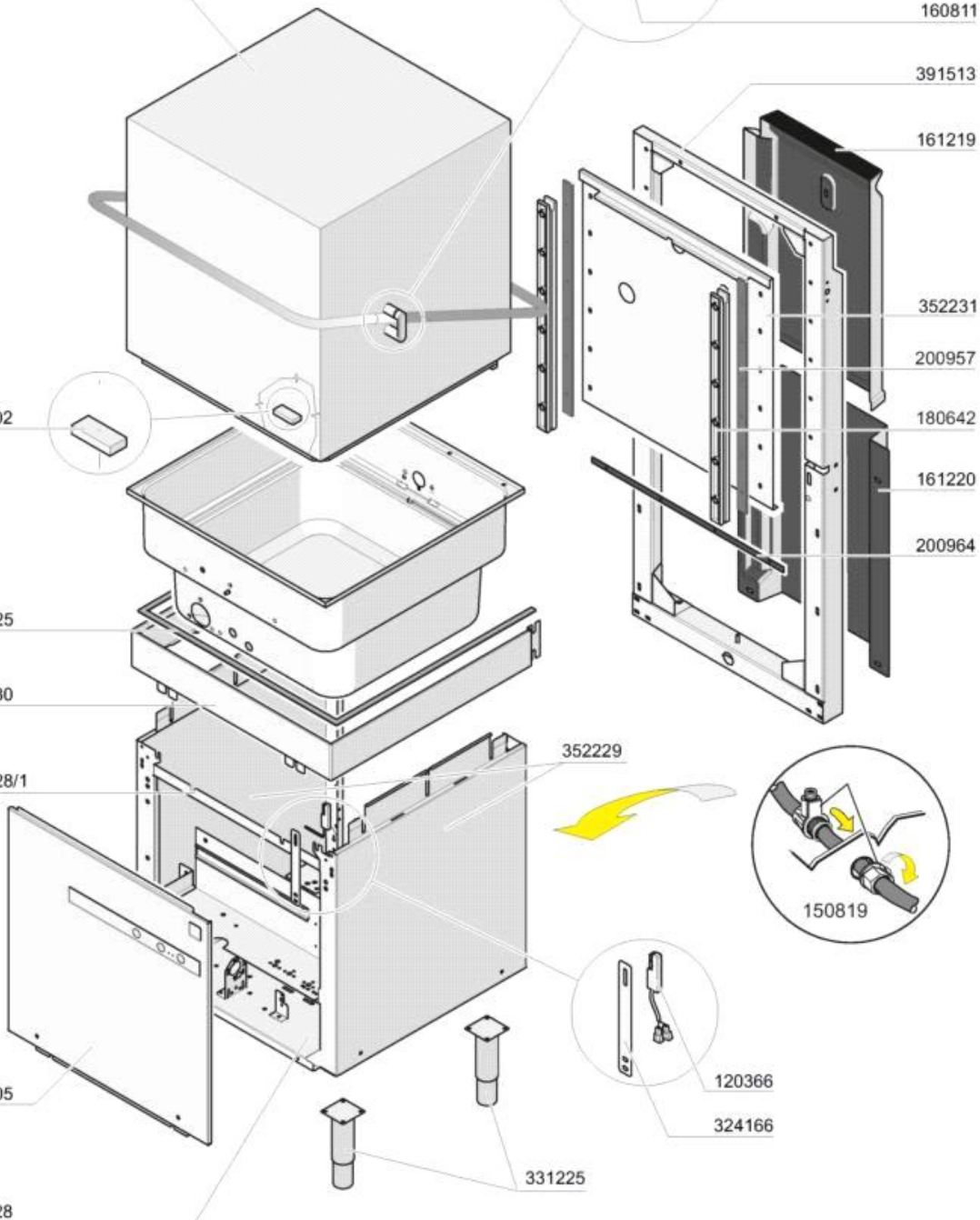
352229

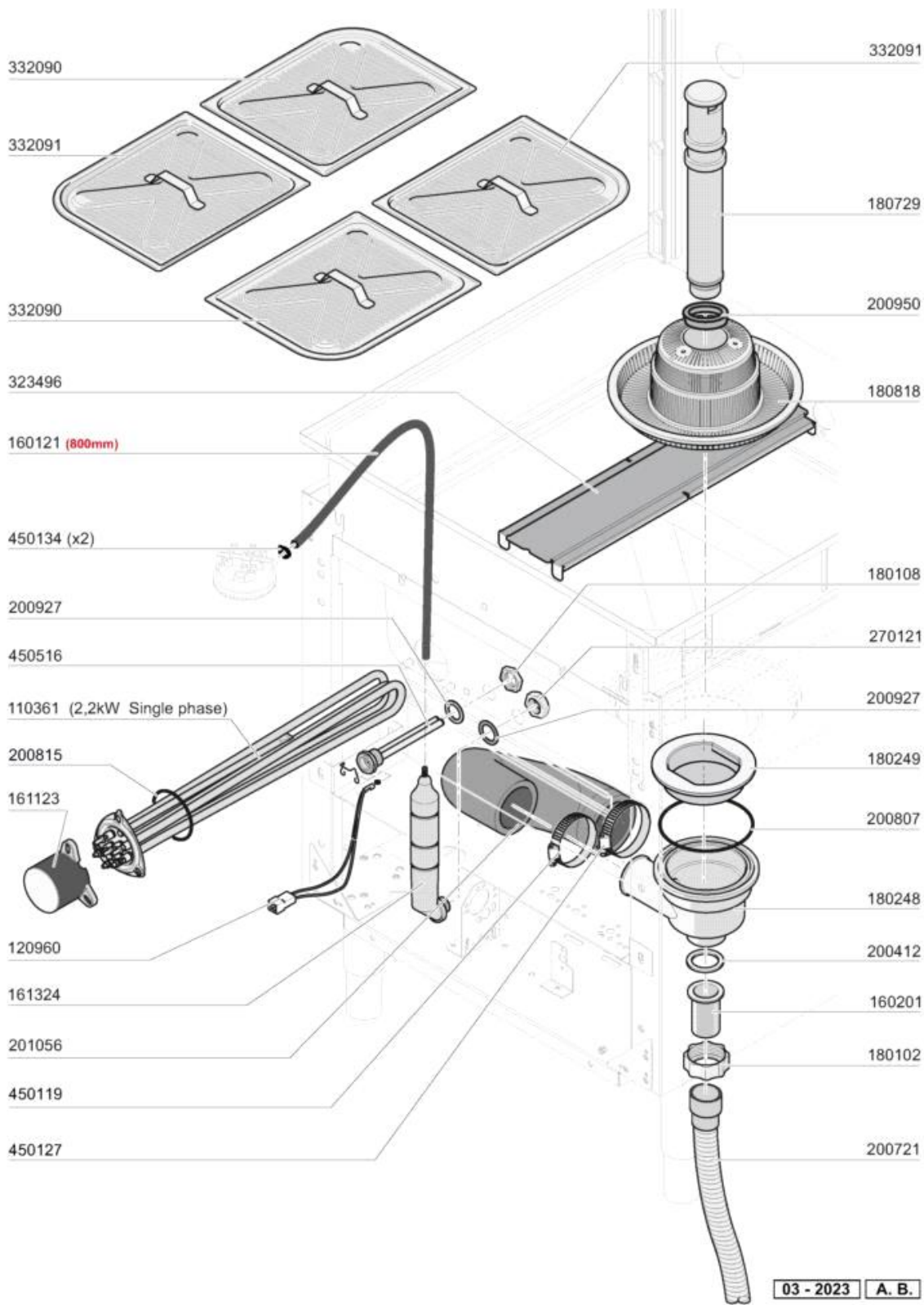
150819

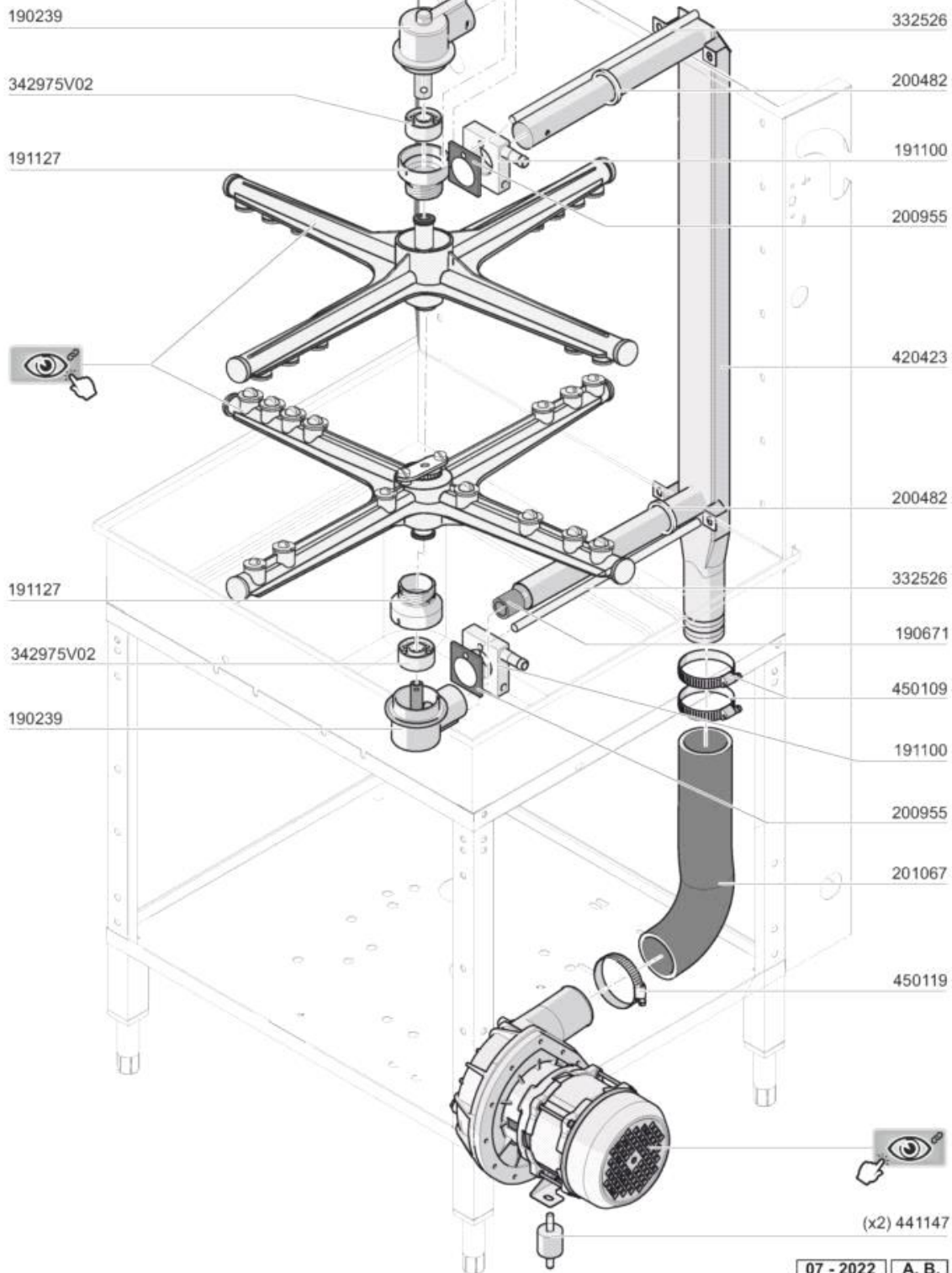
120366

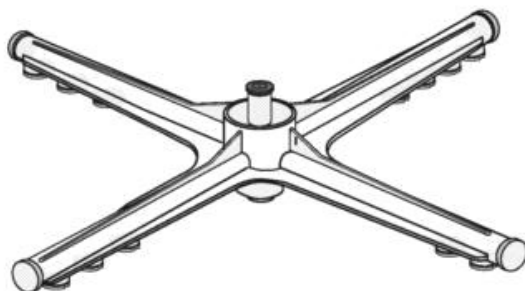
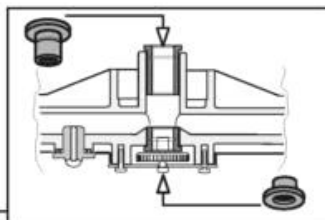
324166

331225









420526

260711

140108

190624

261009

170946

170947

200844

200843

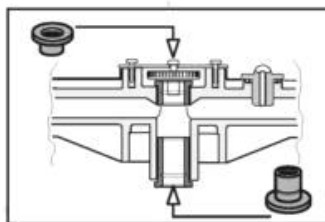
200845

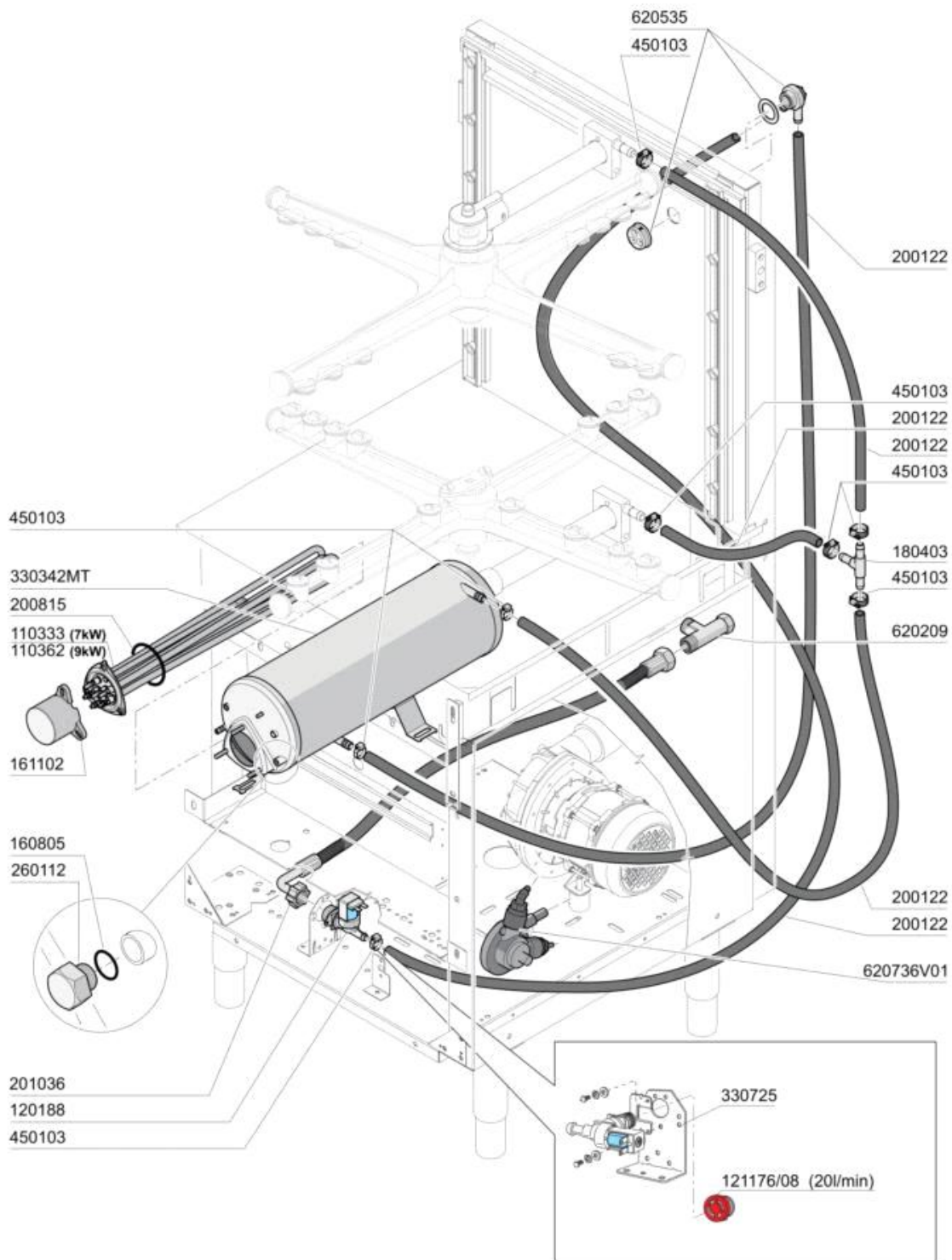
200812

160734

190645

160736





191014 (x2)

340493 (x2)

191013 (x2)

331037

331037Z (Coibentata - Isolate
Insulate Isoliert - Aislamiento)

190149

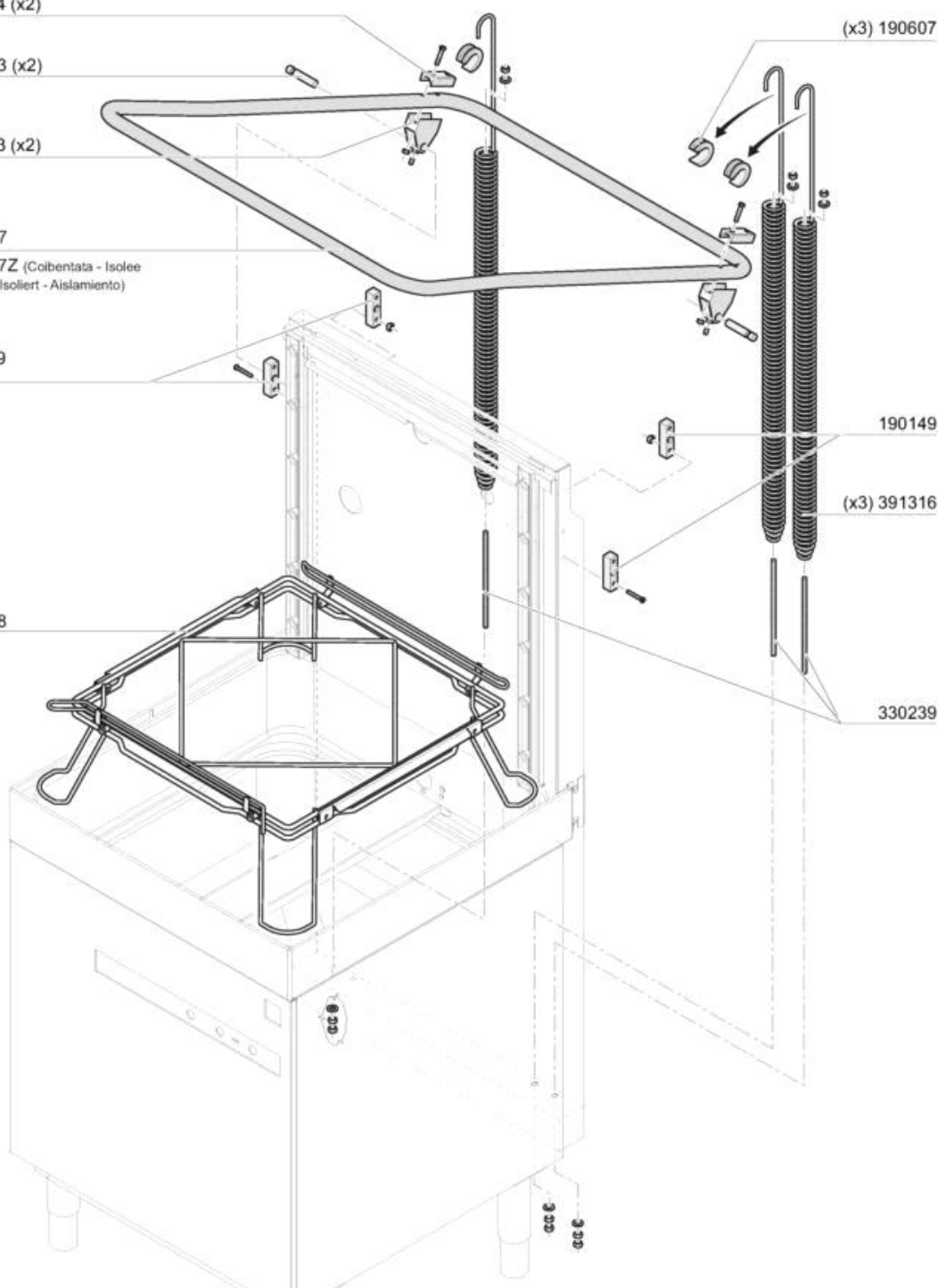
530238

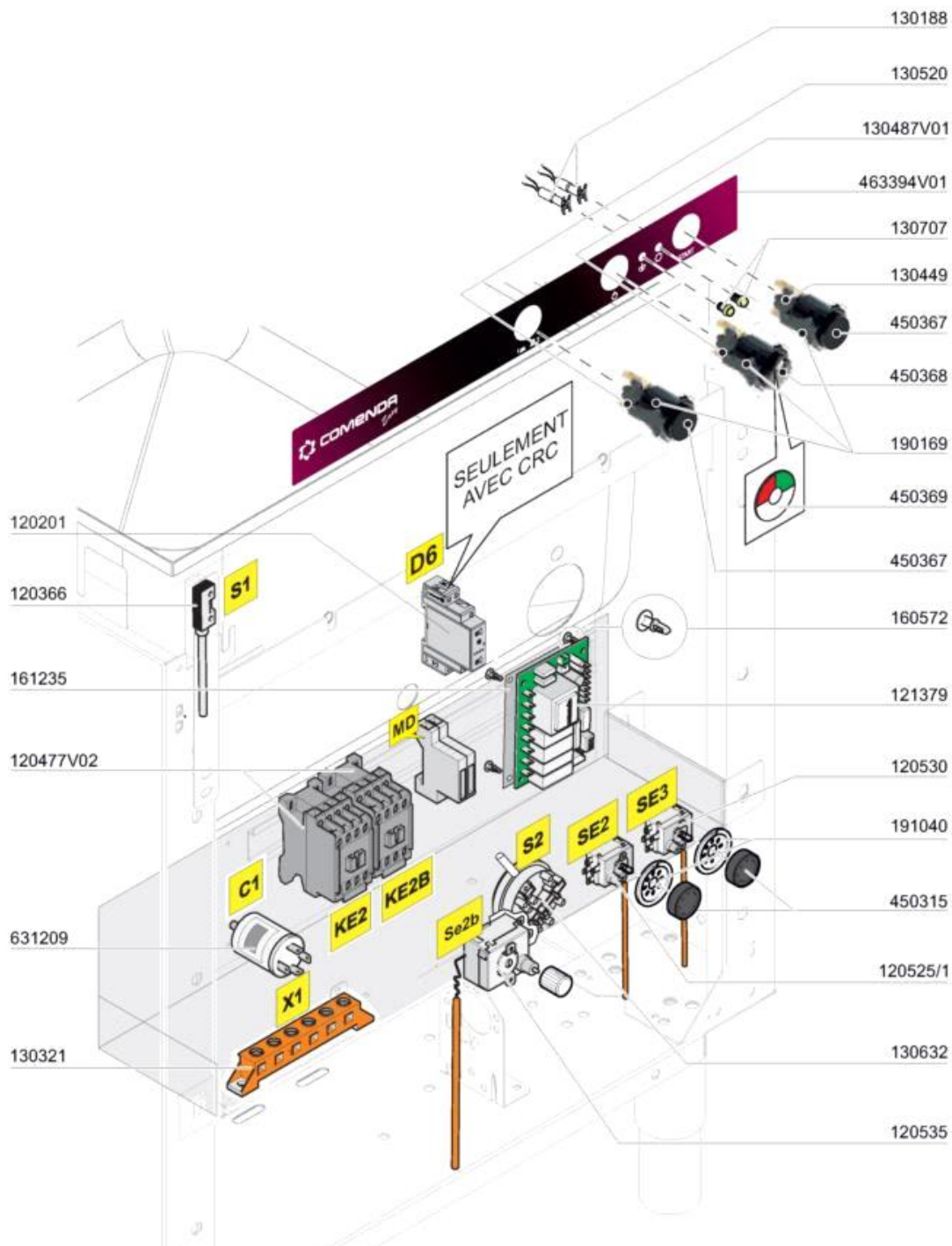
(x3) 190607

190149

(x3) 391316

330239







OLYMPIA PUMPS srl

Cliente: _____ Mod: _____

Kw V Hz RPM

N.O.D.L. Data: _____

ESITO TEST: POSITIVO

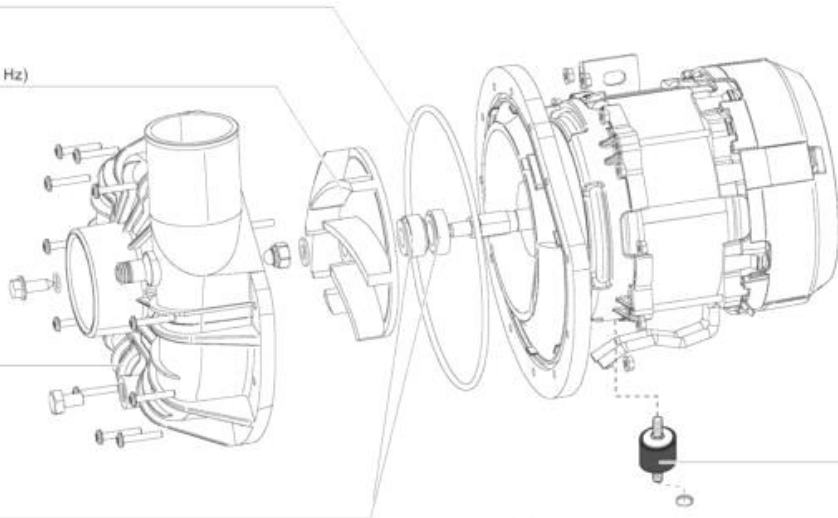
R.Del F.Terra Res.Isol. C.disp. Alim.a' usato

630426

631728 (50 Hz)

630137

630546



441147

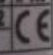
M3



LGB elettropompe MADE IN ITALY
Rohsa Free

EL.POMPA

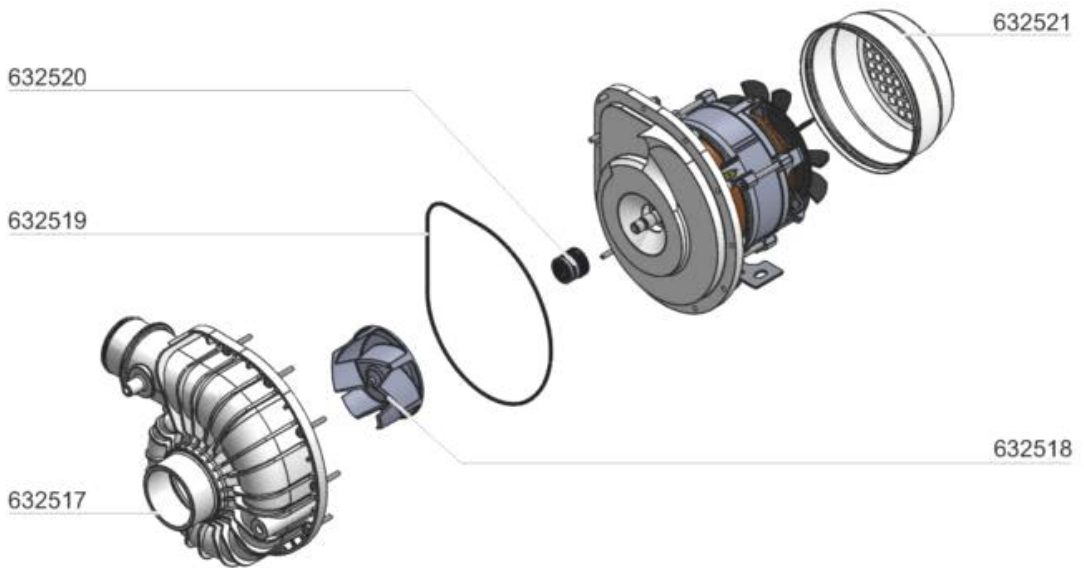
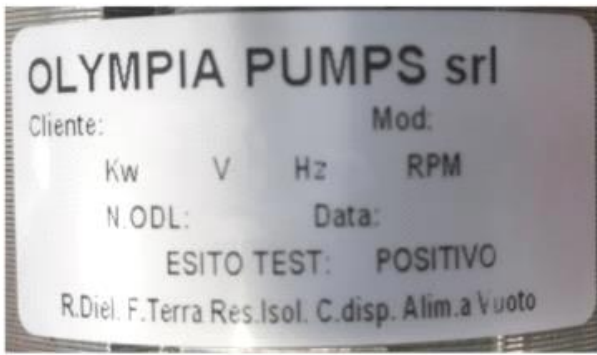
V.	Hz.	
A.	KW.	
Hmin	Hmax	
Cond. uF	RPM	TF 85°C IP X8
Isol. Cl.	THERM.PROT. 12/22	
C.F.	C.C.	



631202 (16 µF)



STANDARD	100925	230V/1	50 Hz	0,75 kW
	100925V01	230V/1	60 Hz	0,75 kW
SPECIAL	100925V02	400V/3	50 Hz	0,75 kW
	100925V03	440V/3	60 Hz	0,75 kW



<p>631202 (16 μF)</p>		STANDARD	100925	230V/1	50 Hz	0,75 kW
			100925V01	230V/1	60 Hz	0,75 kW
		SPECIAL	100925V02	400V/3	50 Hz	0,75 kW
			100925V03	440V/3	60 Hz	0,75 kW

260408

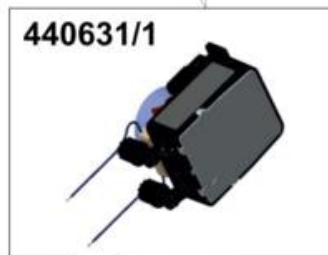
200467

251213V03



200619

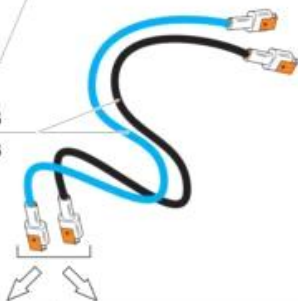
440631/1



160105/1

113300 <<<05/2023

113027 >>>06/2023



160105/1

350940

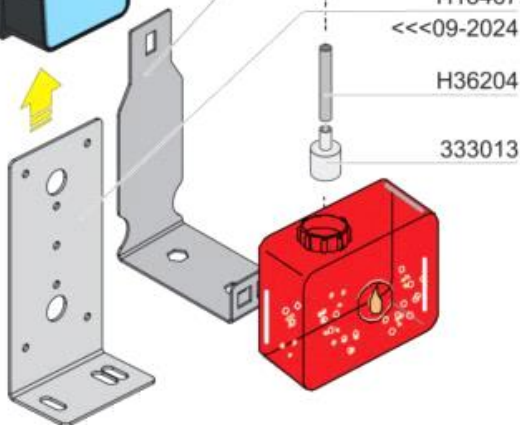
>>>10-2024

H18467

<<<09-2024

H36204

333013



STANDARD

RCD



10 - 2024

A. B.

